

EN: Instruction manual
 NO: Monteringsveiledning
 SE: Installationsguide

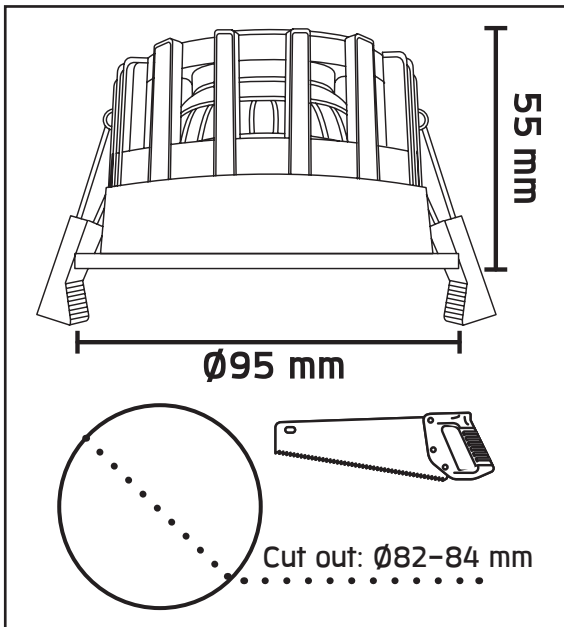
LUZENSE

Unilamp



JUNO GYRO COB+

220-240V 50/60 Hz 350mA LED 10W IP44*

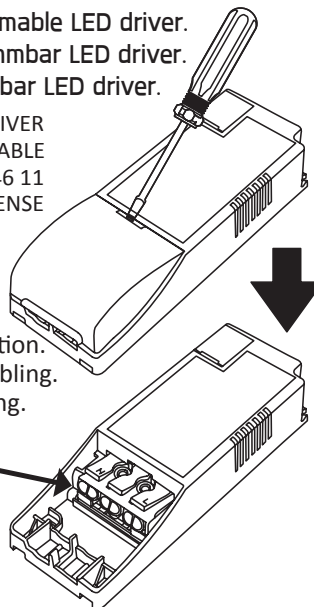


EN: Included dimmable LED driver.
 NO: Inkludert dimmbar LED driver.
 SE: Inklusive dimbar LED driver.

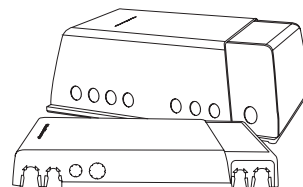
ART.: LED DRIVER
 10W 350mA DIMMABLE
 EL. NR: 66 146 11
 BRAND: LUZENSE

EN: Cable connection.
 NO: Ledningstilkobling.
 SE: Kabelanslutning.

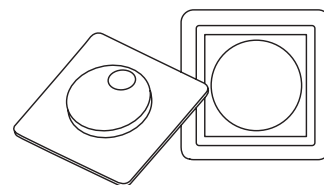
Max. 16A
 Max. 2,5mm²



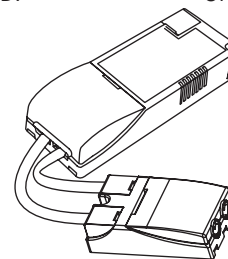
EN: CORRESPONDING PRODUCT.
 NO: TILHØRENDE PRODUKT.
 SE: TILLHÖRANDE PRODUKT.



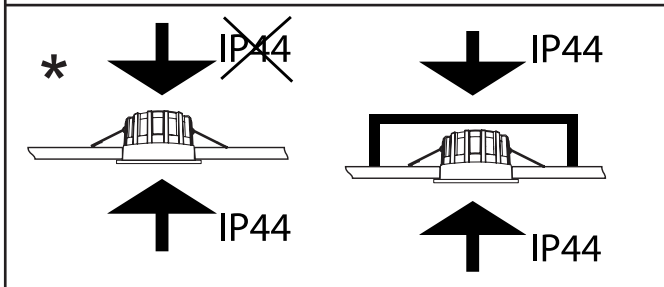
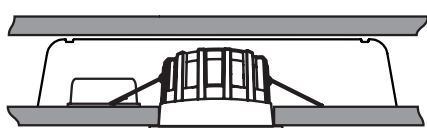
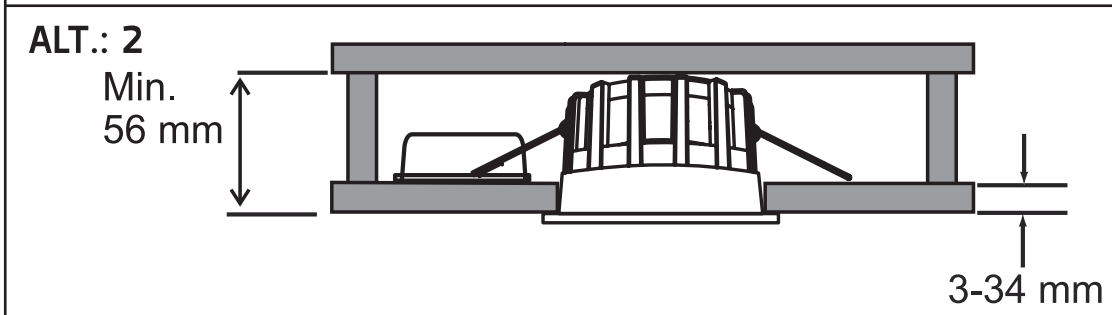
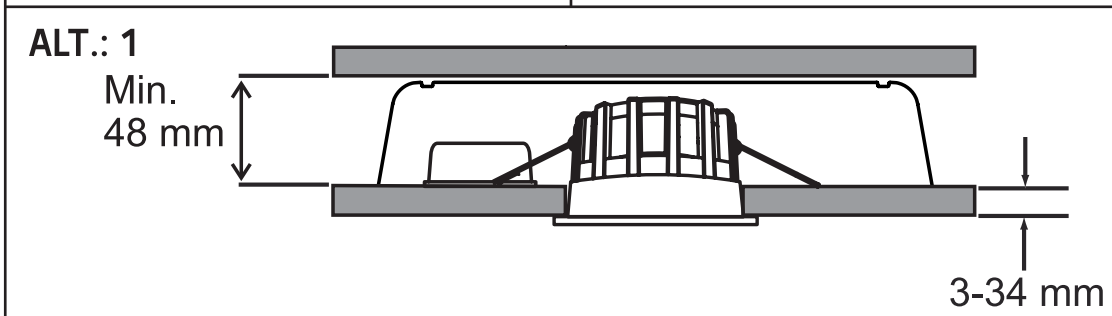
ART.: DOWNLIGHT BOX LOW
 EL. NR: 32 249 21
 ART.: DOWNLIGHT BOX HIGH
 EL. NR: 32 249 20
 BRAND: UNILAMP



ART.: DIMMER KDT-500E
 EL. NR: 14 059 01 (1-POLE)
 EL. NR: 14 059 02 (2-POLE)
 ART.: DIMMER KDT-500IE
 EL. NR: 14 059 03 (1-POLE MULTI)
 BRAND: UNILAMP



ART.: DALI DIMMABLE LED DRIVER
 10W 350mA
 EL. NR: 66 146 18
 BRAND: LUZENSE



EN: Minimum distance to flammable material in the beam direction.
 NO: Minimumsavstand til brennbart materiale i armaturens stråleretning.
 SE: Minsta avstånd mellan brännbart material och lampans ljusrättning.

